

PRAESIDEO 48VDC (Bosch)  
PLENA 24VDC (Bosch)  
DC UPS/BATTERY CHARGER BROCHURE



Harland Simon UPS Ltd

Rack Mount Battery Chargers



**Features**

- 19" Rack SLA Battery Charger
- Designed for use with Bosch PA/VA
- Praesideo (48vDC) Plena (24vDC)
- Built in Battery Protection
- Volt Free Contact (Alarm)
- 10 yr DL Batteries
- Optional Ammeter & Voltmeter

The DSM series, designed primarily for the Bosch (PA/VA) Plena or Praesideo PA and Emergency Sound Systems. We are able to offer many variants, including different DC Voltages, Power, Enclosures (Wall Mount or Floor Standing) & IP Rating. However, the DSM is suitable for any battery charging application which has a 48VDC or 24DC output. (Other models/voltages available).

Part Number - DSM48/4/2UR (12Ah – 48Ah SLA)  
230VAC Input 50/60Hz  
48VDC Nom (54VDC Float), Constant Voltage (single level)

**Charger Rating 4A** - recharge to 80%/24hrs

Ripple & Noise: 150mV Pk-Pk (typically 40mV)

Battery Protection: Auto Battery disconnect below 1.8V per cell (Battery Fuse 32A)

Volt Free Contacts: Charger Fail, Mains Fail, Low Battery Volts (each has 1 set of change over contacts)

19" x 2U x 340mm Deep – 4KG

Terminals Rear Panel Mounted Battery + Load Connectors, Alarm Terminals and IEC Mains Connector

Part Number - DSM48/8/2UR (24Ah – 160Ah SLA)

230VAC Input 50/60Hz

48VDC Nom (54VDC Float), Constant Voltage (single level)

**Charger Rating 8A** - recharge to 80%/24hrs

Ripple & Noise: 150mV Pk-Pk (typically 40mV)

Battery Protection: 50A MCB

Volt Free Contacts: Charger Healthy, Mains Fail (each has 1 set of change over contacts)

19" x 2U x 340mm Deep – 8KG

Terminals Rear Panel fitted with cable protectors, Battery & Load and Mains & Alarms

Part Number - DSM48/12/3UR (36Ah – 240Ah SLA)

230VAC Input 50/60Hz

48VDC Nom (54VDC Float), Constant Voltage (single level)

**Charger Rating 12A** - recharge to 80%/24hrs

Ripple & Noise: 150mV Pk-Pk (typically 40mV)

Battery Protection: Auto Battery disconnect below 1.8V per cell (80A MCB)

Volt Free Contacts: Charger Fail, Mains Fail, Low Battery Volts (each has 1 set of change over contacts)

19" x 3U x 340mm Deep – 7KG

Terminals Rear Panel Mounted Battery + Load Connectors, Alarm Terminals and IEC Mains Connector

### Options

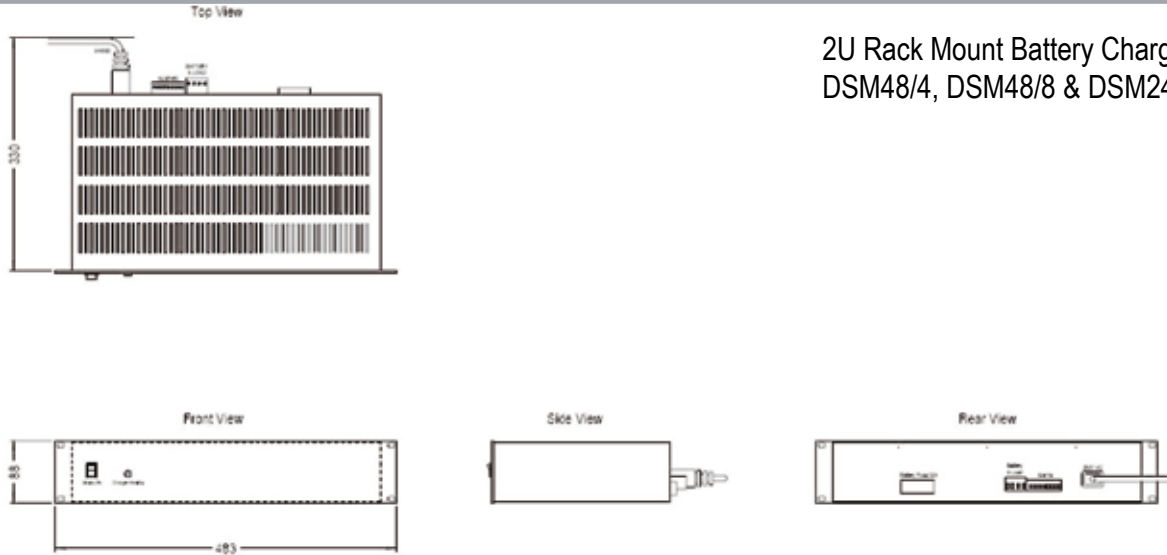
Battery Connection Module: DIN Rail, fitted with additional SPMCB & Terminals for connection of additional strings of batteries.

Batteries: We supply a range of 10 Year Design Life SLA sized to support your load for the autonomy required, based on your quiescent (standby) and pack loads (30 minutes).

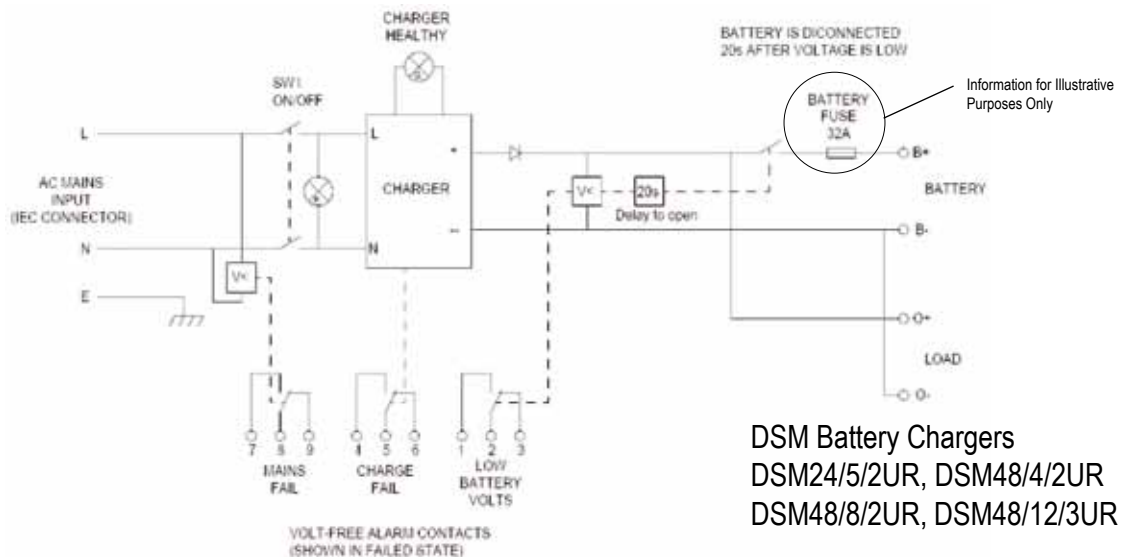
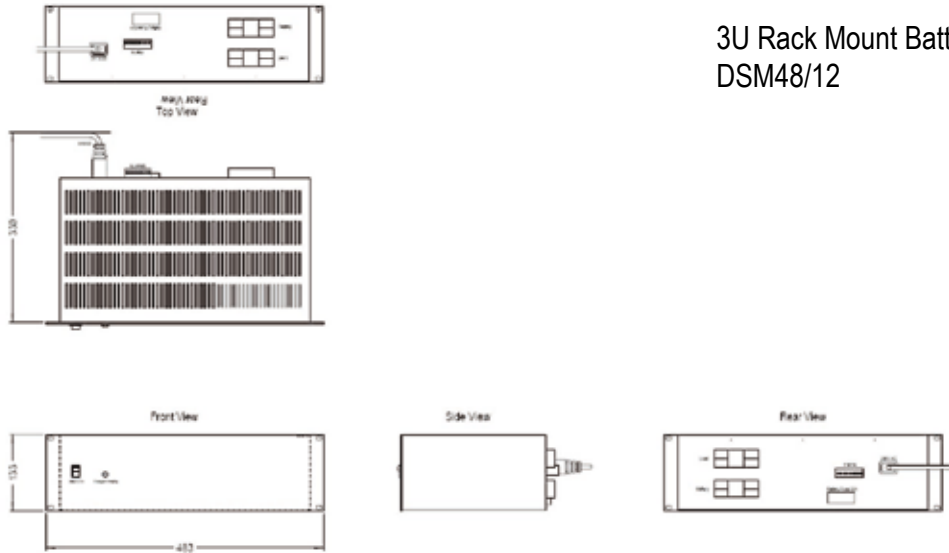


We manufacture Battery Packs for 19" Racks or can supply loose batteries for mounting in your enclosure.

2U Rack Mount Battery Charger  
DSM48/4, DSM48/8 & DSM24/5



3U Rack Mount Battery Charger  
DSM48/12



DSM Battery Chargers  
DSM24/5/2UR, DSM48/4/2UR  
DSM48/8/2UR, DSM48/12/3UR

Harland Simon is a leading independent supplier of Power and Service Solutions

As well as our own product portfolio which includes AC and DC Power Solutions, Marine Power Solutions, Inverters/Converters, Extended Runtime Battery Pack Solutions, IP54 Enclosures, Bypass Systems and Generators we are also able to supply UPS products from the following Manufacturers: Alerex, Alpha Technologies, APC, Eaton, Emerson (Chloride), Nova Electric, Riello UPS and Technology Dynamics Inc.

UPS products are available from 300VA - 800kVA  
Diesel Generator sets from 5kVA - 3300kVA



### Praesideo Power Requirement Calculator v1.0



**BOSCH**

Rack Type

Main rack     Sub rack/system

Rack type PRS-NCO-B Network Controller	Quantity:	1
LBB 4402 Audio Expander	Quantity:	1
LBB 4404 Cobranet Interface	Quantity:	0
LBB 4410 Network Splitter	Quantity:	0
LBB 4411 Fiber Interface	Quantity:	0
LBB 4430 Call Station Basic	Quantity:	0
LBB 4432 Call Station Keypad	Quantity:	0
LBB 4433 Call Station Kit	Quantity:	0
LBB 4434 Call Station Keypad Kit	Quantity:	3
LBB 4437 Call Station Interface	Quantity:	10
LBB 4438 Remote Call Station	Quantity:	7
LBB 4439 Remote Call Station Kit	Quantity:	3
PRS-16MCI Multi Channel Interface	Quantity:	0

Number of main amplifiers: **8**

Amplifier 1	Total loudspeaker load:	400 Watt
Amplifier 2	Total loudspeaker load:	400 Watt
Amplifier 3	Total loudspeaker load:	400 Watt
Amplifier 4	Total loudspeaker load:	400 Watt
Amplifier 5	Total loudspeaker load:	400 Watt

Evacuation time	0.5 hrs
Standby time	24 hrs
Business call duration	0 hrs
Required battery capacity	409 Ah
Standby current consumption	12.4 A
Evac current consumption	59.5 A
Maximum battery current	110 A
Nr. of PRS-48CH10 Chargers	3

Please contact us to request  
the Calculator Tool

Power Save Mode

No     Yes

LBB 4428/00 Power Amplifier 8 x 60 W  
LBB 4428/00 Power Amplifier 8 x 60 W  
LBB 4428/00 Power Amplifier 8 x 60 W  
LBB 4428/00 Power Amplifier 8 x 60 W  
LBB 4428/00 Power Amplifier 8 x 60 W



harland simon  
power solutions



Harland Simon UPS Ltd • Bond Avenue • Bletchley • Milton Keynes • MK1 1TJ  
T: 01908 56 56 56 • F: 01908 56 84 00  
E:enquiries@hsups.co.uk • W: www.harlandsimonups.com